

DISPLAY CASES

Grab N' Go Lowboy

MILLROCK



FEATURES

- ◆ **Self Serve Refrigeration** - Unobstructed product view with superior air screen system easily maintains product temperature at 38 degrees
- ◆ **Slim-line fluorescent fixture** provides great product visibility, light shield & impact sleeve included
- ◆ **Any Exterior Finish** - select any standard color, pattern or wood grain plastic laminate
- ◆ **Stainless Steel interior** - Superior presentation and unmatched durability for professional foodservice display
- ◆ **Display Step** - Removable stainless steel step elevates rear product display
- ◆ **Durable Top** - White cutting board display deck
Plug & 8' Cord Included - 110v. Plug in and start selling!
- ◆ **Roll-down Night Screen** - increases energy efficiency after business hours
- ◆ **Meets All Electrical & Sanitation Requirements for USA & Canada** including CSA, ETL, NSF, UL, & CRMA. Certified by CSA & ETL.
- ◆ **Superior Warranty** - 1 year parts and labor / 5 years compressor.

Models



Queue Sales!

...your customers will appreciate the self service option for refrigerated pastries, sandwiches, salads, and premium beverages... an entire express meal. Command impulse sales from the customer queue by creating artful displays that deliver unmatched sales per Sq. Ft. The stainless steel stepped interior display creates a bountiful perception from practical stocking yet removable for maximum capacity during the peak rush hours.

Serve your customers and place a 35" tall Lowboy in front of your counter or even use it to create an express lane. Our standard options include four sizes and choice of any laminate or wood finish.

MILLROCK Display Cases

Deliver unparalleled merchandising • Match your interior design • Enhance your store image • Boost impulse buying & rapid transactions

DISPLAY CASES
Grab N' Go Lowboy

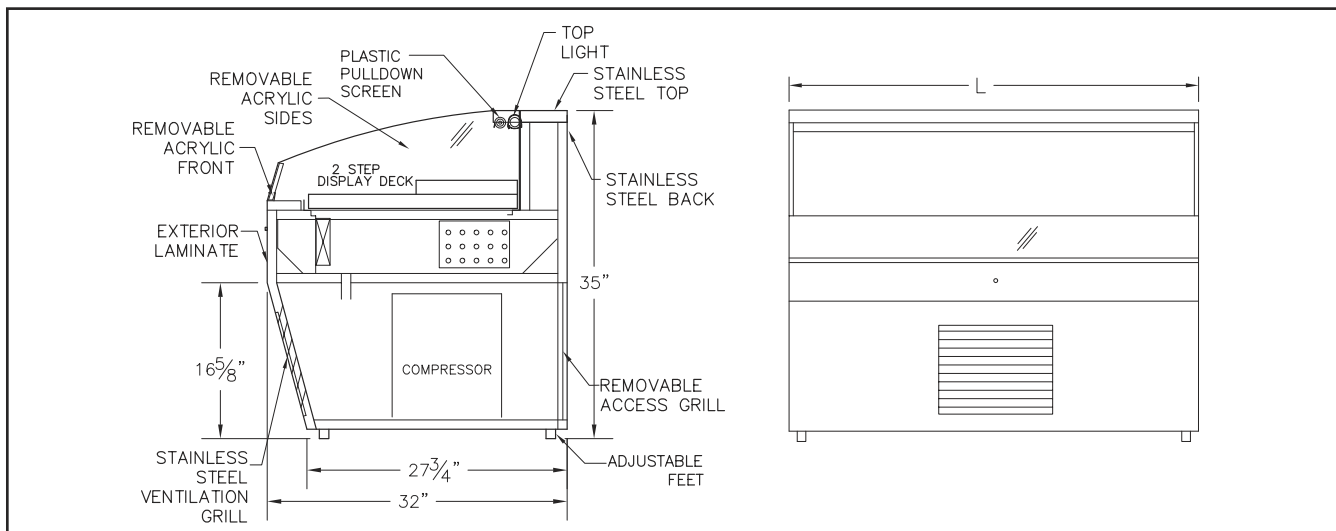
405 West Street ■ West Bridgewater, MA 02379 ■ p:800.645.7625 ■ f:617.687.7700
e:sales@millrock.com ■ www.millrock.com ■ www.GrowYourBrand.com

© 2000 - 2005 Modular Brand Group, LLC All Rights Reserved. Millrock is a division of Modular Brand Group, LLC
Continual product improvement may necessitate changes in specifications without notice

Rev.082105

DISPLAY CASES

Grab N' Go Lowboy



OPTIONS

- ◆ **Custom Finishes** - We welcome the opportunity to match designer finishes with any stone, hardwood, & metal for the front, top or sides of your MILLROCK.
- ◆ **Rear Loading** - Stainless steel drawer (2 on the 48" & 60") allow the operator to easily maintain stocking levels at all times
- ◆ **Security Kit** - Locking top panel for after hours theft deterrence
- ◆ **Casters** - Easy cleaning, semi-mobile placement, and delivery. Only available at time of order. Add 1/2" to height.
- ◆ **Custom Sizes** - Available in custom length, depth & height
- ◆ **Remote Refrigeration** - Excludes refrigeration system

TECH SPECS

- ◆ Laboratory Tested - Every MILLROCK undergoes a 24 hour endurance test with 181 point quality control inspection before shipment
- ◆ Operating Temp. Refrigerated side is factory calibrated to 38° F.
- ◆ 8' long cord with plug
- ◆ MILLROCK™ Cases are designed to operate under normal store conditions less than 75° F (24° C) with less than 50% Relative Humidity
- ◆ Hot gas evaporator pan
- ◆ Refrigerant is environmentally friendly R22
- ◆ Meets All Electrical & Sanitation Requirements for USA & Canada including CSA, ETL, NSF, UL, & CRMA. Certified by ETL & CSA
- ◆ Warranty - 1 year parts and labor / 5 years compressor.

MODEL	DIMENSIONS (INCHES) length - depth - height	ELECTRICAL volts/phase/hertz - amps.	COMPRESSOR (hp)	SHIPPING WEIGHT / VOLUME lbs. / cu. ft.
GL37	37 - 32 - 35	120/1/60 - 10.2	1/3	300 / 45
GL48	48 - 32 - 35	120/1/60 - 10.2	1/3	360 / 57
GL60	60 - 32 - 35	120/1/60 - 11.2	1/2	430 / 71
GL72	72 - 32 - 35	120/1/60 - 11.2	1/2	500 / 85

405 West Street ■ West Bridgewater, MA 02379 ■ p:800.645.7625 ■ f:617.687.7700
e:sales@millrock.com ■ www.millrock.com ■ www.GrowYourBrand.com

© 2000 - 2005 Modular Brand Group, LLC All Rights Reserved. Millrock is a division of Modular Brand Group, LLC

Continual product improvement may necessitate changes in specifications without notice

Rev.082105