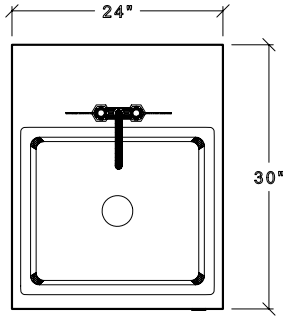


MODULAR CAFÉ 1-Bay Sink Module 24"



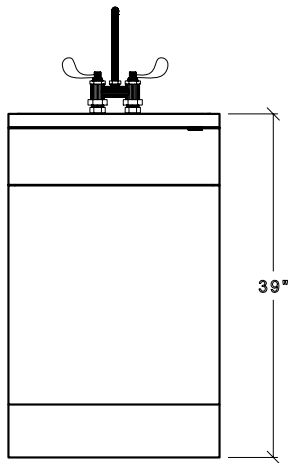
Model #:M1S24



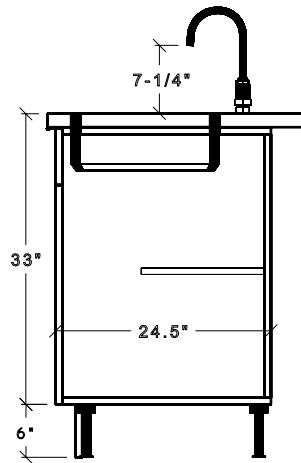
TOP VIEW



PERSPECTIVE VIEW



FRONT VIEW



SIDE SECTION

Weight: 145 lbs with top (excludes skid or crating)

FEATURES

- ◆ Countertop is plastic laminate finish of your choice; cabinet face is black laminate standard finish, color choice optional.
- ◆ Stainless steel single bowl sink 22L x 19W x 6-1/2D with T&S B-0325-WH4 Gooseneck swing faucet with wrist handles and 3-1/2" drain basket.
- ◆ Cabinet interior is washable, scratch resistant, durable melamine. Includes one adjustable shelf.
- ◆ Waterproof steel legs are adjustable for leveling.
- ◆ Removable toe kick is marine grade plywood with black laminate finish.

Options:

- ◆ Integrally welded sink in 16 gauge 304 series stainless steel Spill-proof™ counters.
- ◆ Stainless steel modular base cabinet construction.

405 West Street ■ West Bridgewater, MA 02379 ■ p:800.645.7625 ■ f:617.687.7700
e:sales@millrock.com ■ www.millrock.com

© 2000 - 2006 Modular Brand Group, LLC All Rights Reserved. Millrock is a division of Modular Brand Group, LLC
Continual product improvement may necessitate changes in specifications without notice

