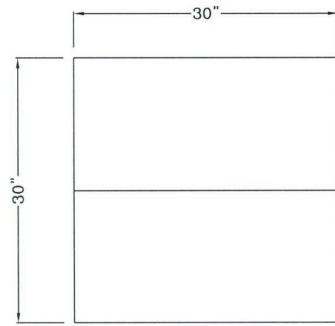
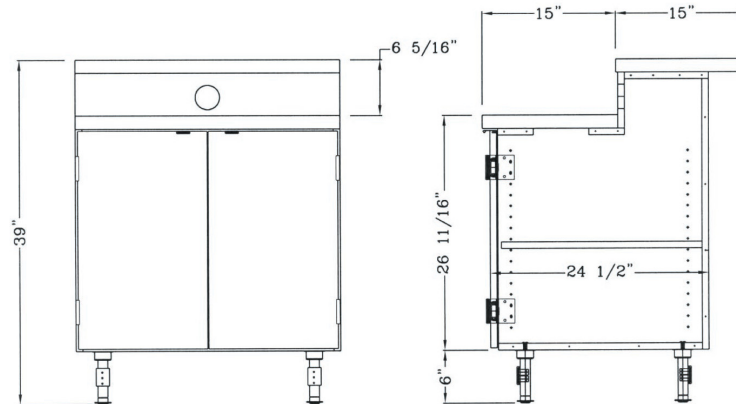
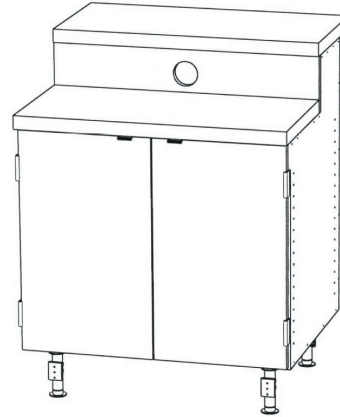


Model #: MCS30



TOP VIEW



FRONT VIEW

SIDE SECTION

130lbs. with top [weight excludes skid or crating]

## FEATURES

- ◆ Use on front or rear service line
- ◆ Tiered counter designed for easy access to taller shuttles
- ◆ Also useful for tiering airports for self service or assisted service
- ◆ Plastic laminate doors
- ◆ Black melanine interior
- ◆ Includes one self adjustable shelf
- ◆ Countertop with a plastic laminate of your choice
- ◆ Integrated waterproof metal legs are fully adjustable
- ◆ Removable toekick is marine grade plywood with black laminate finish.

### Options:

- ◆ Integrally welded 16 gauge 304 series stainless steel Spill-proof™ counters.
- ◆ Stainless steel modular base cabinet construction.
- ◆ Built-to-order step configuration to suit your equipment and operations.

405 West Street ■ West Bridgewater, MA 02379 ■ p:800.645.7625 ■ f:617.687.7700  
e:sales@millrock.com ■ www.millrock.com

© 2000 - 2006 Modular Brand Group, LLC All Rights Reserved. Millrock is a division of Modular Brand Group, LLC  
Continual product improvement may necessitate changes in specifications without notice