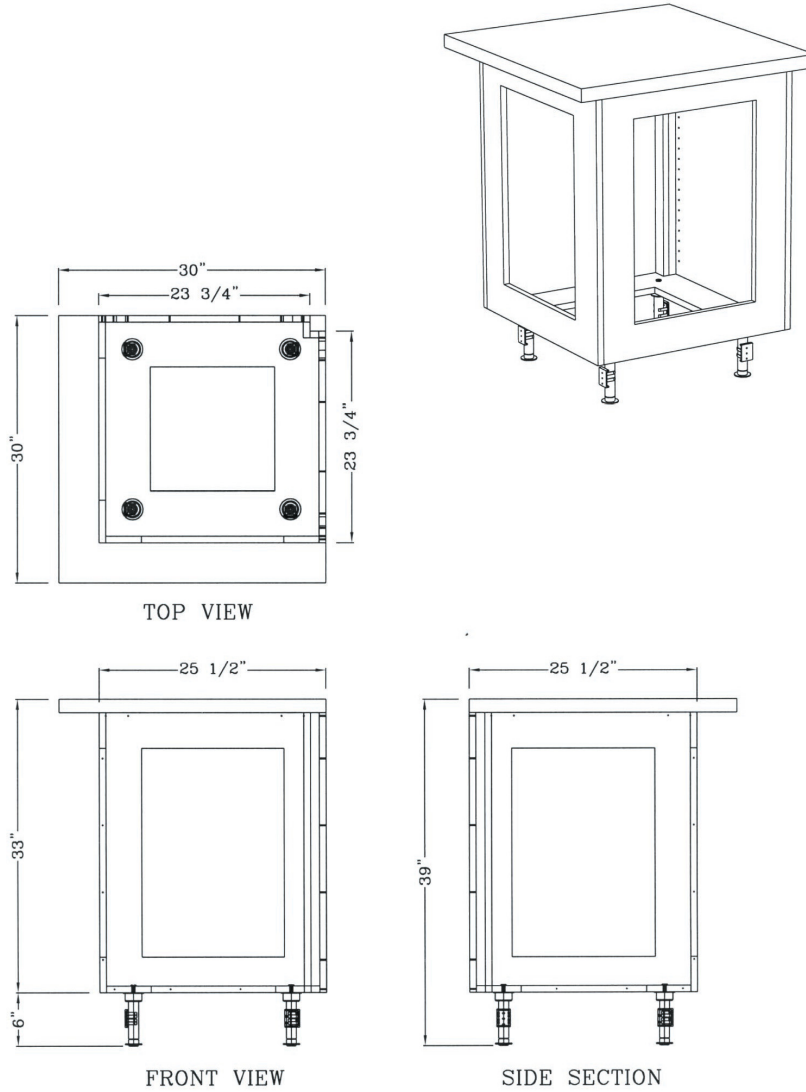


MODULAR CAFÉ
Filler Module Corner 30"



Model #:MFM30



125lbs. with top [weight excludes skid or crating]

FEATURES

- ◆ Use on front or rear service lines at inside (blind) corners
- ◆ Plastic laminate exterior
- ◆ Black melamine interior
- ◆ Countertop with a plastic laminate of your choice
- ◆ Integrated waterproof metal legs are fully adjustable
- ◆ Removable toekick is marine grade plywood with black laminate finish

Options:

- ◆ Integrally welded 16 gauge 304 series stainless steel Spill-proof™ counters.
- ◆ Stainless steel modular base cabinet construction.

405 West Street • W. Bridgewater, MA 02379 • p:800.645.7625 • f:617.687.7700
e:sales@millrock.com • www.millrock.com

© 2000 - 2006 Modular Brand Group, LLC All Rights Reserved. Millrock is a division of Modular Brand Group, LLC • Investigation of local health and building codes is recommended prior to placing your order • Continual product improvement may necessitate changes in specifications without notice.

Rev.041806