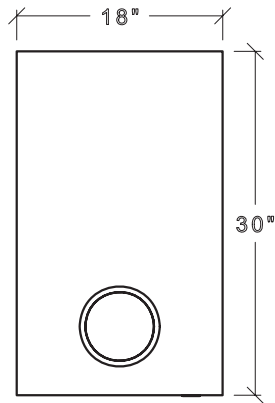


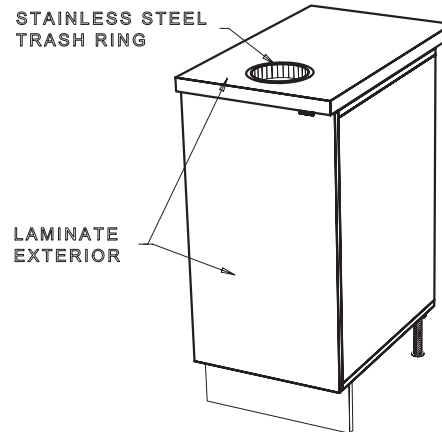
MODULAR CAFÉ Trash Module 18"



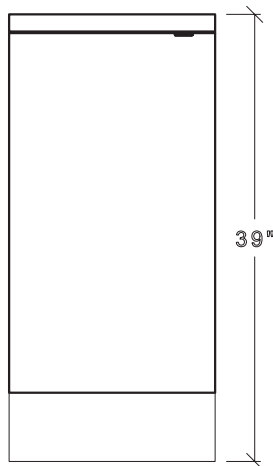
Model #:MTM18



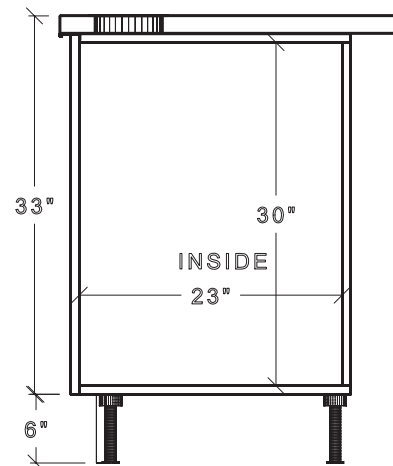
TOP VIEW



PERSPECTIVE VIEW



FRONT VIEW



SIDE SECTION

100lbs. with top [weight excludes skid or crating]

FEATURES

- ◆ Use on front or rear service line
- ◆ Plastic laminate door
- ◆ Black melamine interior
- ◆ Includes 6" diameter stainless steel ring and countertop with trash opening
- ◆ Reversible door swing
- ◆ Accommodates trash containers up to 16" x 16" x 30" tall (not included)
- ◆ Countertop with a plastic laminate of your choice
- ◆ Integrated waterproof metal legs are fully adjustable
- ◆ Removable toekick is marine grade plywood with black laminate finish

Options:

- ◆ Integrally welded 16 gauge 304 series stainless steel Spill-proof™ counters.
- ◆ Stainless steel modular base cabinet construction.

405 West Street • W. Bridgewater, MA 02379 • p:800.645.7625 • f:617.687.7700
e:sales@millrock.com • www.millrock.com